

S30-RP

SkyPanel is a compact, ultra-bright and high-quality LED soft light that sets a new standard for the industry. With a design focused on form, color, beam field and output, SkyPanel represents the culmination of more than a decade of research and development of LED technology at ARRI.

SkyPanel will initially be available in two sizes: the S60 and S30. The S60 is a mid-range model, featuring a light aperture of 645 x 300 mm and accommodating the vast majority of applications. The S30 is a smaller, more portable version; half the length of the S60, it is perfect for on-the-go mobile applications. Both models are available in fully color tuneable and remote phosphor versions.

In addition to the fully tuneable color versions of the SkyPanel, remote phosphor versions are also available. To make white LEDs, phosphors are typically placed directly on a single blue LED. Remote phosphor technology uses many powerful blue LEDs to excite a panel coated in phosphors, which is positioned further away from the LEDs. These high-quality phosphors deliver near-perfect color rendition and outstanding light output. The remote phosphor versions of SkyPanel are roughly 10% brighter than the color versions and have a lower price point due to less complex electronics. Different color temperature panels are available, including 2,700 K; 3,200 K; 4,300 K; 5,600 K; and 6,500 K.

Unlike other tuneable fixtures, SkyPanel makes no sacrifice when it comes to light output. SkyPanel puts out a tremendous amount of light, in a soft and uniform beam field. Brighter than a 1 kW tungsten soft light or a 3 kW tungsten space light, the SkyPanel S30 has more than enough light for most applications. At the same time, the lamphead is able to perform beautifully at lower light levels. This range of illumination and color gives users an unprecedented amount of control.

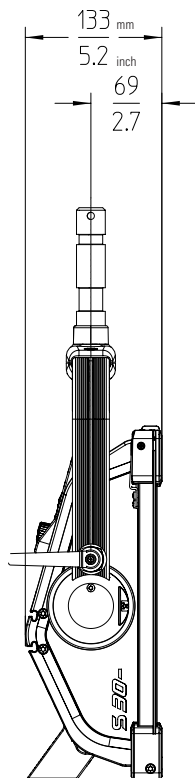
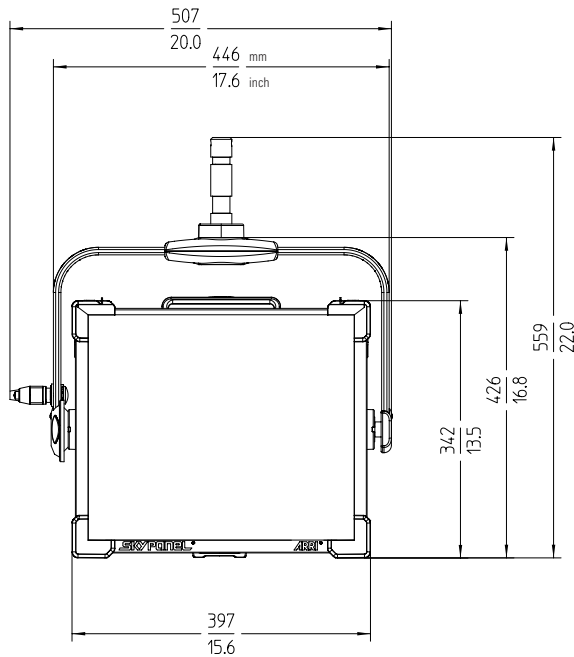
Made in Germany to the high standards for which all ARRI products are known, SkyPanel is built to last – constructed from resilient materials and assembled by hand with great care. Other features include an on-board battery input for mobile applications, LAN port for network connectivity, USB-A port for firmware updates via thumb drive, and many more.



Order No.	Description
L0.0007717	S30-RP, 3200 K, Manual, Blue/Silver, 3 m DC Cable, S30 PSU, PSU Rail Mount, Standard Diffusion Panel, Edison powerCON
L0.0007718	S30-RP, 3200 K, Manual, Blue/Silver, 3 m DC Cable, S30 PSU, PSU Rail Mount, Standard Diffusion Panel, Schuko powerCON
L0.0007720	S30-RP, 3200 K, Manual, Blue/Silver, 3 m DC Cable, S30 PSU, PSU Rail Mount, Standard Diffusion Panel, Chinese powerCON
L0.0007721	S30-RP, 3200 K, Pole Op, Blue/Silver, 1 m DC Cable, S30 PSU, PSU Rail Mount, Standard Diffusion Panel, Bare Ends powerCON
L0.0007722	S30-RP, 3200 K, Pole Op, Black, 1 m DC Cable, S30 PSU, PSU Rail Mount, Standard Diffusion Panel, Bare Ends powerCON
L0.0007723	S30-RP, 5600 K, Manual, Blue/Silver, 3 m DC Cable, S30 PSU, PSU Rail Mount, Standard Diffusion Panel, Edison powerCON
L0.0007724	S30-RP, 5600 K, Manual, Blue/Silver, 3 m DC Cable, S30 PSU, PSU Rail Mount, Standard Diffusion Panel, Schuko powerCON
L0.0007725	S30-RP, 5600 K, Manual, Blue/Silver, 3 m DC Cable, S30 PSU, PSU Rail Mount, Standard Diffusion Panel, Chinese powerCON
L0.0007726	S30-RP, 5600 K, Pole Op, Blue/Silver, 1 m DC Cable, S30 PSU, PSU Rail Mount, Standard Diffusion Panel, Bare Ends powerCON
L0.0007727	S30-RP, 5600 K, Pole Op, Black, 1 m DC Cable, S30 PSU, PSU Rail Mount, Standard Diffusion Panel, Bare Ends powerCON

SKYPANEL

SOFT LIGHTING | REDEFINED



Specifications (preliminary)

Lamphead	
Optical System	Remote Phosphor Panel
Light Aperture	355 x 300 mm / (14 x 11.8 inches)
Beam Angle	110° (Half Peak Angle)
Weight	Manual Version: 7.8 kg (17.2 lbs) Pole Op Version: 8.8 kg (19.4 lbs)
Handling	Aluminum Yoke, High Strength Tilt Lock, Pole Operation Option (Pan & Tilt)
Mounting	16 mm / 28 mm Combo Pin (Baby 5/8 inch / Junior 1-1/8 inch Combo Pin)
Tilt Angle	+/- 90°
Lamphead Voltage Input:	48 V DC
Power Consumption	200 W Nominal, 240 W Maximum
Lamphead Power Connection	Male 3-Pin XLR - 15 amp (Pin 1: Negative / Pin 2: Positive)
Battery Connector	Male 4-Pin XLR - 10 Amp (Pin 1: Negative / Pin 4: Positive)
Battery DC Voltage Range	23 - 36 V DC
Battery Mode Light Output	100% of Total Output
White Light	Changeable Remote Phosphors Panels: 2700 K, 3200 K, 4300 K, 5600 K, 6500 K, & Chroma Green
Color Temperature Tolerance	+/- 200 K (nominal)
Color Rendition	2700K: CRI >98 3200K: CRI >98 4300K: CRI >97 5600K: CRI >94 6500K: CRI >93
Dimming	0 - 100% Continuous
Control	On-Board Controller, 5-Pin DMX In and Through, EtherCon LAN Network Connectivity, USB-A
Remote Device Management (RDM)	DMX Setup, Hour Counter and Standard RDM Commands
USB Interface	DMX Setup, Fixture Status and Firmware Upgrade Through PC, Mac and USB Stick
Housing Color	Blue/Silver, Black
Ambient Temperature Operation	-20 to +45° C (-4 to +113° F)
Protection Class	IP 20
Estimated LED Lifetime (L70)	50,000 hours
Estimated Color Shift Over Lifetime	< 200 K
Certifications (pending)	CE, FCC; GS, cNRTL, CB

Power Supply Unit	
Power Supply Input Range	90 - 250 V AC, 50 - 60 Hz
Power Supply Output Range	48 V DC
Power Input Connection	powerCON TRUE1 (Bare Ends / Schuko / Edison Cables Available)
Power Output Connection	Female 3-Pin XLR - 10 Amp (Pin 1: Negative / Pin 2: Positive) powerCON TRUE1 (mains power through)
Weight	2.5 kg (5.5 lbs.)
Dimensions	383 x 116 x 90 mm (15 x 4.6 x 3.5 inch)
Control	On-Board On/Off Switch
Mounting	Super Clamp Attachement / SkyPanel PSU Rail Mount

All specifications are nominal / typical values. This device has not yet been authorized by the rules of the Federal Communications Commission. This device is not, and will not be, offered for sale or lease within the United States, until authorization is obtained.

SKYPANEL
SOFT LIGHTING | REDEFINED