

S30-C

SkyPanel is a compact, ultra-bright and high-quality LED soft light that sets a new standard for the industry. With a design focused on form, color, beam field and output, SkyPanel represents the culmination of more than a decade of research and development of LED technology at ARRI.

SkyPanel will initially be available in two sizes: the S60 and S30. The S60 is a mid-range model, featuring a light aperture of 645 x 300 mm and accommodating the vast majority of applications. The S30 is a smaller, more portable version; half the length of the S60, it is perfect for on-the-go mobile applications. Both models are available in fully color tuneable and remote phosphor versions.

Incorporating features of ARRI's successful L-Series LED Fresnels, SkyPanel is one of the most versatile soft lights on the market, as well as one of the brightest. Like the L-Series, SkyPanel 'C' (Color) versions are fully tuneable; correlated color temperature is adjustable between 2,800 K and 10,000 K, with excellent color rendition over the entire range. Full plus and minus green correction can be achieved with the simple turn of a knob, and in addition to CCT control, vivid color selection and saturation adjustment is also possible.

Unlike other tuneable fixtures, SkyPanel makes no sacrifice when it comes to light output. SkyPanel puts out a tremendous amount of light, in a soft and uniform beam field. Brighter than a 1 kW tungsten soft light or a 3 kW tungsten space light, the SkyPanel S30 has more than enough light for most applications. At the same time, the lamphead is able to perform beautifully at lower light levels. This range of illumination and color gives users an unprecedented amount of control.

Made in Germany to the high standards for which all ARRI products are known, SkyPanel is built to last – constructed from resilient materials and assembled by hand with great care. Other features include an on-board battery input for mobile applications, LAN port for network connectivity, USB-A port for firmware updates via thumb drive, and many more.



Photometric Data (preliminary results)

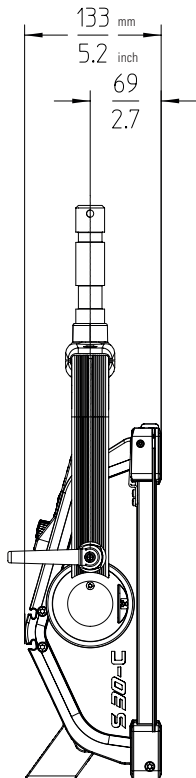
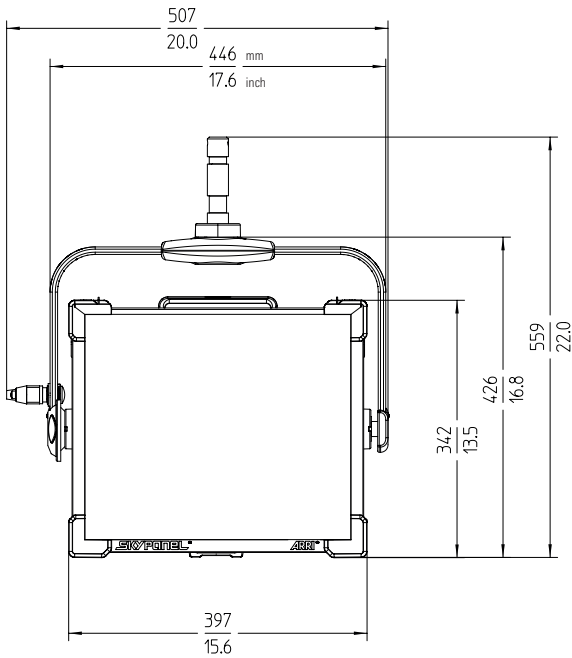
	3 m / 9.8 ft		5 m / 16.4 ft		7 m / 23.0 ft		9 m / 29.5 ft	
S30-C	3,200 K	5,600 K	3,200 K	5,600 K	3,200 K	5,600 K	3,200 K	5,600 K
S30-C with Standard Diffusion	603 lx	618 lx	217 lx	222 lx	111 lx	114 lx	67 lx	69 lx
	56 fc	57 fc	20 fc	21 fc	10 fc	11 fc	6 fc	6 fc
S30-C with Lite Diffusion	653 lx	667 lx	235 lx	240 lx	120 lx	123 lx	73 lx	74 lx
	61 fc	62 fc	22 fc	22 fc	11 fc	11 fc	7 fc	7 fc
S30-C with Heavy Diffusion	501 lx	513 lx	180 lx	185 lx	92 lx	94 lx	56 lx	57 lx
	47 fc	48 fc	17 fc	17 fc	9 fc	9 fc	5 fc	5 fc
S30-C with Intensifier	784 lx	803 lx	282 lx	289 lx	144 lx	148 lx	87 lx	89 lx
	73 fc	75 fc	26 fc	27 fc	13 fc	14 fc	8 fc	8 fc

Order No. | Description

L0.0007711	S30-C, Manual, Blue/Silver, 3 m DC Cable, S30 PSU, PSU Rail Mount, Standard Diffusion Panel, Edison powerCON
L0.0007712	S30-C, Manual, Blue/Silver, 3 m DC Cable, S30 PSU, PSU Rail Mount, Standard Diffusion Panel, Schuko powerCON
L0.0007713	S30-C, Manual, Blue/Silver, 3 m DC Cable, S30 PSU, PSU Rail Mount, Standard Diffusion Panel, Chinese powerCON
L0.0007714	S30-C, Pole Op, Blue/Silver, 1 m DC Cable, S30 PSU, PSU Rail Mount, Standard Diffusion Panel, Bare Ends powerCON
L0.0007716	S30-C, Pole Op, Black, 1 m DC Cable, S30 PSU, PSU Rail Mount, Standard Diffusion Panel, Bare Ends powerCON

SKYPANEL

SOFT LIGHTING | REDEFINED



Specifications (preliminary)

Lamphead	
Optical System	Soft Diffusion Panel
Light Aperture	355 x 300 mm / (14 x 11.8 inches)
Beam Angle	110° (Half Peak Angle)
Weight	Manual Version: 7.8 kg (17.2 lbs) Pole Op Version: 8.8 kg (19.4 lbs)
Handling	Aluminum Yoke, High Strength Tilt Lock, Pole Operation Option (Pan & Tilt)
Mounting	16 mm / 28 mm Combo Pin (Baby 5/8 inch / Junior 1-1/8 inch Combo Pin)
Tilt Angle	+/- 90°
Lamphead Voltage Input:	48 V DC
Power Consumption	200 W Nominal, 240 W Maximum
Lamphead Power Connection	Male 3-Pin XLR - 15 amp (Pin 1: Negative / Pin 2: Positive)
Battery Connector	Male 4-Pin XLR - 10 Amp (Pin 1: Negative / Pin 4: Positive)
Battery DC Voltage Range	23 - 36 V DC
Battery Mode Light Output	100% of Total Output
White Light	2,800K - 10,000K Continuously Variable Correlated Color Temperature
Colored Light	Full RBG+W Color Gamut with Hue and Saturation Control
Color Temperature Tolerance	+/- 100 K (nominal), +/- 1/8 Green-Magenta (nominal)
Color Rendition	CRI Average > 95 TLCI Average > 91
Green-Magenta Adjustment	Continuously Adjustable (Full Minusgreen to Full Plusgreen)
Dimming	0 - 100% Continuous
Control	On-Board Controller, 5-Pin DMX In and Through, EtherCon LAN Network Connectivity, USB-A
Remote Device Management (RDM)	DMX Setup, Hour Counter and Standard RDM Commands
USB Interface	DMX Setup, Fixture Status and Firmware Upgrade Through PC, Mac and USB Stick
Housing Color	Blue/Silver, Black
Ambient Temperature Operation	-20 to +45° C (-4 to +113° F)
Protection Class	IP 20
Estimated LED Lifetime (L70)	50,000 hours
Estimated Color Shift Over Lifetime	< 200 K
Certifications (pending)	CE, FCC; GS, cNRTL, CB

Power Supply Unit	
Power Supply Input Range	90 - 250 V AC, 50 - 60 Hz
Power Supply Output Range	48 V DC
Power Input Connection	powerCON TRUE1 (Bare Ends / Schuko / Edison Cables Available)
Power Output Connection	Female 3-Pin XLR - 10 Amp (Pin 1: Negative / Pin 2: Positive) powerCON TRUE1 (mains power through)
Weight	2.5 kg (5.5 lbs)
Dimensions	383 x 116 x 90 mm (15 x 4.6 x 3.5 inch)
Control	On-Board On/Off Switch
Mounting	Super Clamp Attachment / SkyPanel PSU Rail Mount

All specifications are nominal / typical values.
This device has not yet been authorized by the rules of the Federal Communications Commission. This device is not, and will not be, offered for sale or lease within the United States, until authorization is obtained.

