

# L10

**Bright. Robust. Tuneable.**

Tuneable) and L10-DT (Daylight Tuneable). While the L10-C is the most versatile with regard to color tuneability, producing vivid colors with saturation control, the L10-TT and L10-DT are brighter than the L10-C and still offer a select CCT tuning range.

The L10 is the brightest and largest L-Series lamphead to date. Its substantial 10" Fresnel lens and powerful output allow for more distant fixture placement and the wrapping of light around objects in a natural and pleasing way. At more than twice the brightness of the L7, the L10 is also one of the brightest LED Fresnels on the market.

Consuming only 400 watts, the L10 is incredibly energy efficient. The L10-TT and DT versions have a brightness level close to that of a 2,000-watt tungsten Fresnel. This means that with the same amount of power as consumed by a single conventional 2 kW tungsten light, you can run five L10s and achieve almost five times the light output.



**L10-C** Color temperature, tint and hue can be continuously adjusted from 2,800 K to 10,000 K, between full plus or minus green and RGBW colors.

**L10-T TUNEABLE** Tuneable Tungsten allows for fine-tuning of the tungsten color temperature from 2,600 K to 3,600 K with increased brightness over the L10-C, and is particularly suited to applications requiring precise matching to conventional tungsten lampheads.

**L10-D TUNEABLE** Tuneable Daylight allows for fine-tuning of the daylight color temperature from 5,000 K to 6,500 K with increased brightness over the L10-C, and is particularly suited to applications requiring precise matching to daylight balanced light sources.

**2,800 - 10,000 K**

**2,600 - 3,600 K**

**5,000 - 6,500 K**

**5 % brighter than L10-C**

**10 % brighter than L10-C**

Order No.	Description
L0.0003383	L10-C, Hanging, Blue/Silver
L0.0003384	L10-C, Hanging, Black
L0.0003385	L10-C, Pole Operated, Blue/Silver
L0.0003386	L10-C, Pole Operated, Black
L0.0003382	L10-C, Stand-Mount, Blue/Silver, 3 m Cable, Schuko PowerCon
L0.0003381	L10-C, Stand-Mount, Blue/Silver, 7 m Cable, Edison PowerCon

Order No.	Description
L0.0003389	L10-TT, Hanging, Blue/Silver
L0.0003390	L10-TT, Hanging, Black
L0.0003391	L10-TT, Pole Operated, Blue/Silver
L0.0003392	L10-TT, Pole Operated, Black
L0.0003388	L10-TT, Stand-Mount, Blue/Silver, 3 m Cable, Schuko PowerCon
L0.0003387	L10-TT, Stand-Mount, Blue/Silver, 7 m Cable, Edison PowerCon

Order No.	Description
L0.0003395	L10-DT, Hanging, Blue/Silver
L0.0003396	L10-DT, Hanging, Black
L0.0003397	L10-DT, Pole Operated, Blue/Silver
L0.0003398	L10-DT, Pole Operated, Black
L0.0003394	L10-DT, Stand-Mount, Blue/Silver, 3 m Cable, Schuko PowerCon
L0.0003393	L10-DT, Stand-Mount, Blue/Silver, 7 m Cable, Edison PowerCon

**STAND-MOUNT** versions include the following base configuration:

28 mm Spigot (Junior Pin), Inline Switch, Integrated 5-Pin DMX In and Thru.

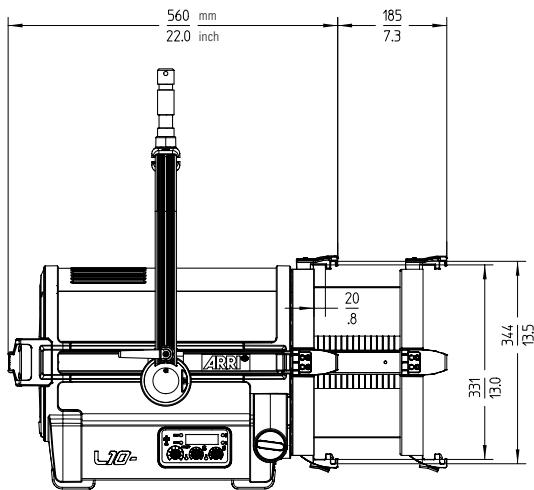
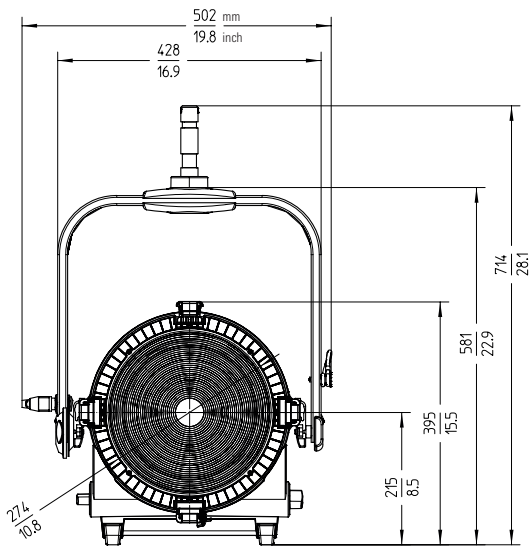
**POLE-OPERATED** versions include the following base configuration:

Pole Operation for Pan, Tilt and Focus, 28 mm Spigot (Junior Pin), 1.5 m (5 ft) Cable with Bare Ends, Integrated 5-Pin DMX In and Thru.

**HANGING** versions include the following base configuration:

28 mm Spigot (Junior Pin), 1.5 m (5 ft) Cable with Bare Ends, Integrated 5-Pin DMX In and Thru.

**L SERIES**  
CUT. SHAPE. FOCUS. TUNE.



**Specifications**

Optical System	Focusable Fresnel
Lens Diameter	274 mm / 10 inch
Beam Angle	15° - 50° (Half Peak Angle)
Weight	Manual Version - 19.7 kg (43.4 lbs) Pole Op Version - 21.3 kg (47 lbs)
Handling	Adjustable Sliding Stirrup, High Strength Tilt Lock, Pole Operation Option (Pan, Tilt and Focus)
Mounting	28 mm Spigot (Junior Pin)
Tilt Angle	+/- 90°
Power Supply Range	100 - 250 V AC, 50 - 60 Hz
Power Consumption	L10-C: 400 W Nominal, 510 W Maximum L10-TT: Unavailable L10-DT: 410 W Nominal, 510 W Maximum
Power Connection	powerCON TRUE1 (Bare Ends / Schuko / Edison Cables Available)
White Light	L10-C: 2,800 K - 10,000 K Continuously Variable Correlated Color Temperature L10-TT: 2,600 K - 3,600 K Continuously Variable Correlated Color Temperature L10-DT: 5,000 K - 6,500 K Continuously Variable Correlated Color Temperature
Colored Light (L10-C only)	Full RGB+W Color Gamut with Hue and Saturation Control
Color Temperature Tolerance	+/- 100 K (nominal), +/- 1/8 Green-Magenta (nominal)
Color Rendition	L10-C: CRI Average > 95, TLCI Average > 91 L10-TT: Unavailable L10-DT: CRI Average > 93, TLCI Average > 92
Green-Magenta Adjustment	Continuously Adjustable (Full Minusgreen to Full Plusgreen)
Dimming	0 - 100% Continuous
Control	5-Pin DMX In and Through, On-Board Controller, Mini-USB
Remote Device Management (RDM)	DMX Setup, Hour Counter and Standard RDM Commands
Mini-USB Interface	DMX Setup, Fixture Status and Firmware Upgrade Through PC Software
Housing Color	Blue/Silver, Black
Ambient Temperature Operation	-20 - 45° C (-4 - 113° F)
Protection Class	IP 20
Estimated LED Lifetime (L70)	50,000 hours
Estimated Color Shift Over Lifetime	< 200 K
Certifications	Pending

All specifications are nominal / typical values.

**Photometric Data (preliminary results)**

	3 m / 9.8 ft		5 m / 16.4 ft		7 m / 23.0 ft		9 m / 29.5 ft		12 m / 39.37 ft	
<b>L10-C</b>	<b>3200 K</b>	<b>5600 K</b>	<b>3200 K</b>	<b>5600 K</b>	<b>3200 K</b>	<b>5600 K</b>	<b>3200 K</b>	<b>5600 K</b>	<b>3200 K</b>	<b>5600 K</b>
Spot: 15°	13222 lx / 1228 fc	13889 lx / 1290 fc	4760 lx / 442 fc	5000 lx / 465 fc	2429 lx / 226 fc	2551 lx / 237 fc	1469 lx / 136 fc	1543 lx / 143 fc	826 lx / 77 fc	868 lx / 81 fc
Middle: 30°	4733 lx / 440 fc	4956 lx / 460 fc	1704 lx / 158 fc	1784 lx / 166 fc	869 lx / 81 fc	910 lx / 85 fc	526 lx / 49 fc	551 lx / 51 fc	296 lx / 27 fc	310 lx / 29 fc
Flood: 50°	1878 lx / 174 fc	1978 lx / 184 fc	676 lx / 63 fc	712 lx / 66 fc	345 lx / 32 fc	363 lx / 34 fc	209 lx / 19 fc	220 lx / 20 fc	117 lx / 11 fc	124 lx / 11 fc
<b>L10-TT</b>	<b>3200 K</b>		<b>3200 K</b>		<b>3200 K</b>		<b>3200 K</b>		<b>3200 K</b>	
Spot: 15°	13883 lx / 1289 fc		4998 lx / 464 fc		2550 lx / 237 fc		1542 lx / 143 fc		867 lx / 81 fc	
Middle: 30°	4970 lx / 462 fc		1789 lx / 166 fc		912 lx / 85 fc		552 lx / 51 fc		311 lx / 28 fc	
Flood: 50°	1972 lx / 183 fc		710 lx / 66 fc		362 lx / 34 fc		219 lx / 20 fc		123 lx / 12 fc	
<b>L10-DT</b>		<b>5600 K</b>		<b>5600 K</b>		<b>5600 K</b>		<b>5600 K</b>		<b>5600 K</b>
Spot: 15°		15778 lx / 1466 fc		5680 lx / 528 fc		2898 lx / 269 fc		1753 lx / 163 fc		986 lx / 92 fc
Middle: 30°		5422 lx / 504 fc		1952 lx / 181 fc		996 lx / 93 fc		602 lx / 56 fc		339 lx / 31 fc
Flood: 50°		2167 lx / 201 fc		780 lx / 72 fc		398 lx / 37 fc		241 lx / 22 fc		135 lx / 13 fc